

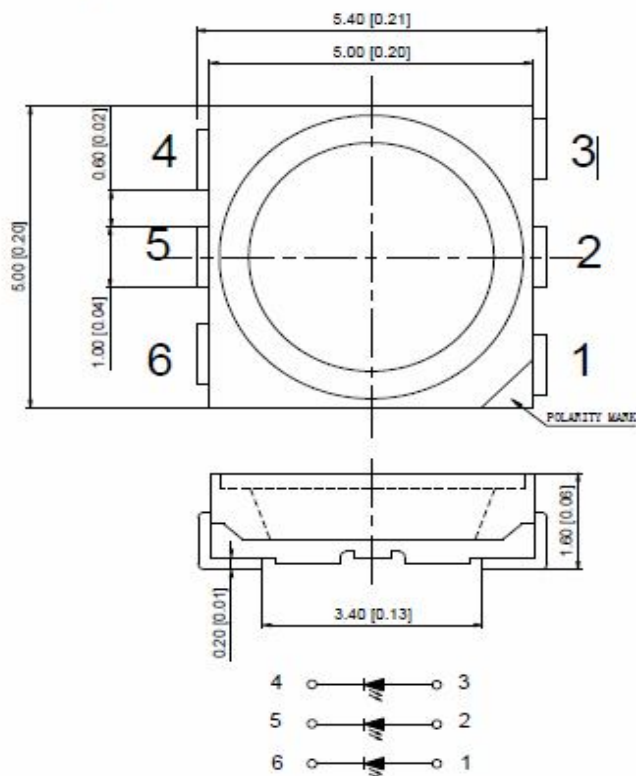
SB-SMD-5050-blue



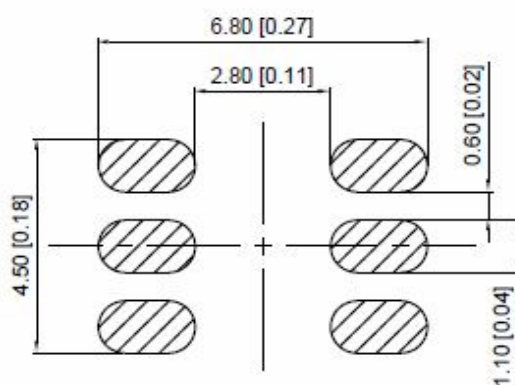
ATTENTION
OBSERVE PRECAUTIONS
FOR HANDLING
ELECTROSTATIC
DISCHARGE
SENSITIVE
DEVICES



Package Dimensions



Recommended Soldering Pattern



Notes:

1. All dimension units are in millimeters.
2. All dimension tolerance is ± 0.15 mm unless otherwise noted.

Parameter	Symbol	Rating	Unit
Forward current	I_F	20 mA/chip	mA
Forward peak current	I_{FP}	/	mA
Reverse Voltage	V_R	5	V
Peak power	P_D	110	mW
Operating Temperature	T_{opr}	-20 ÷ +75	°C
Storage Temperature	T_{stg}	-30 ÷ +100	°C

Parameter	symbol	condition	Min	type	max	unit
Forward voltage	V_F	20 mA/chip	3,0		3,4	V
Reverse voltage	I_R	$V_R = 5V$	/	/	5	uA
Luminous Intensity	I_v	20 mA/chip	1000		1500	mcd
Wave-length	$\lambda d(nm)$	20 mA/chip	456		462	nm
50% viewing angle	$2\theta_{\frac{1}{2}}$	20 mA/chip	/	120	/	deg

Typical Electro-Optical Characteristics Curves

