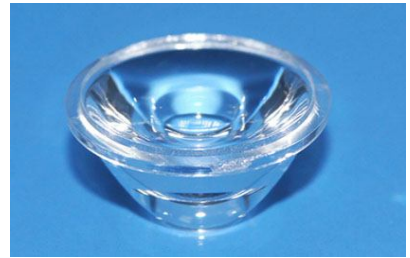
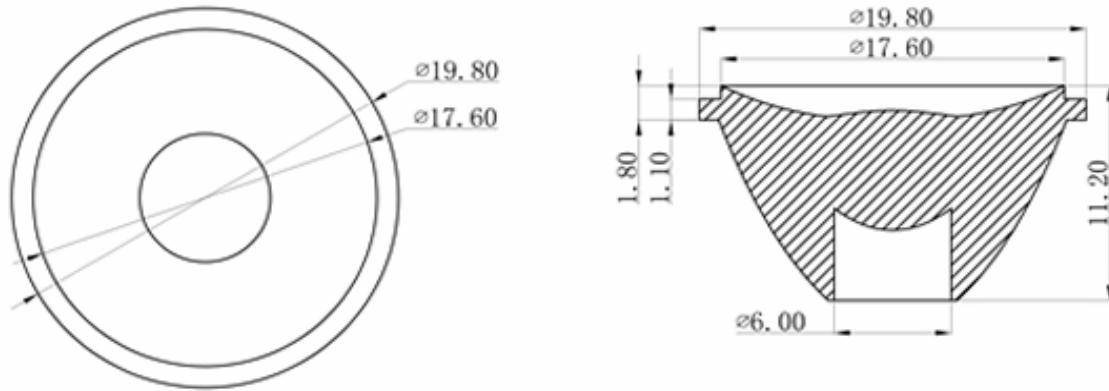


Model	Size	Angle
SB-LENS-20B	Φ19.80×H11.20	20



Materials: PMMA  
 Temperature Resistance: 90°C

Lens:



Holder:

