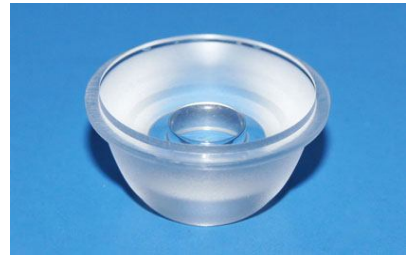
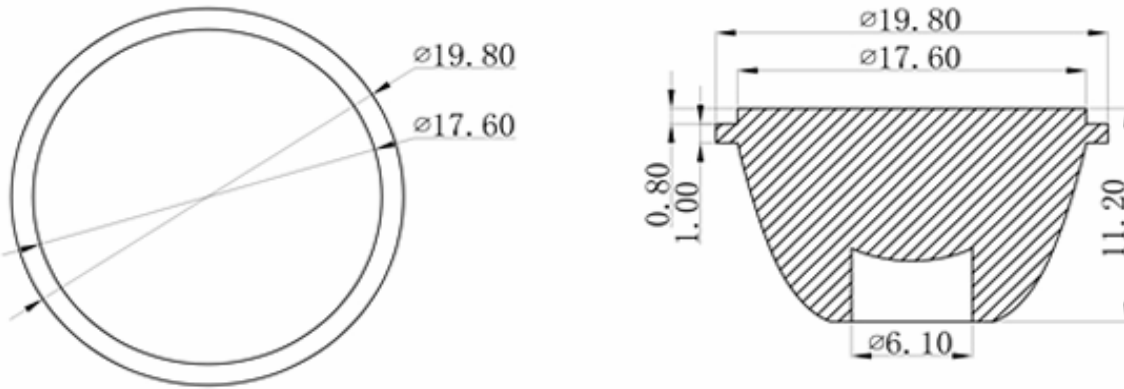


Model	Size	Angle
SB-LENS-130M	Φ19.80×H11.20	130



Materials: PMMA
 Temperature Resistance: 90°C

Lens:



Holder:

