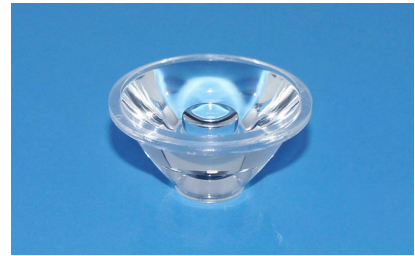
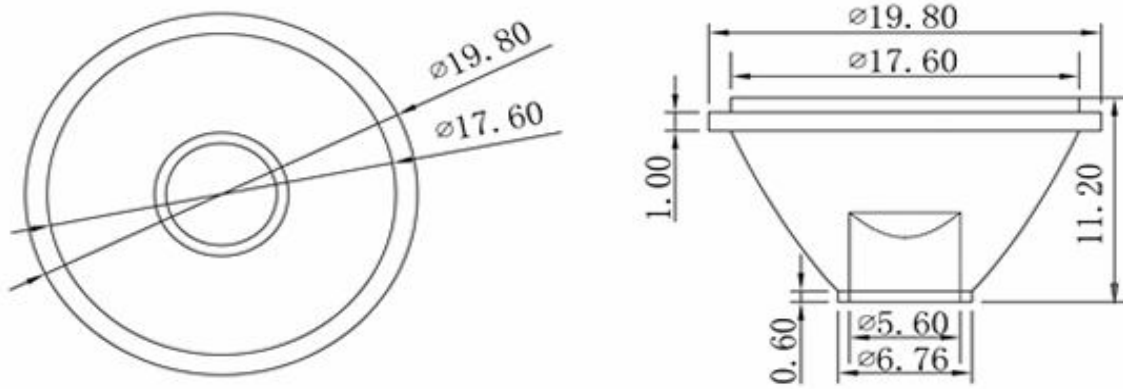


Model	Size	Angle
SB-LENS-10P	Φ19.80×H11.20	10

Materials: PMMA  
 Temperature Resistance: 90°C



Lens:



Holder:

