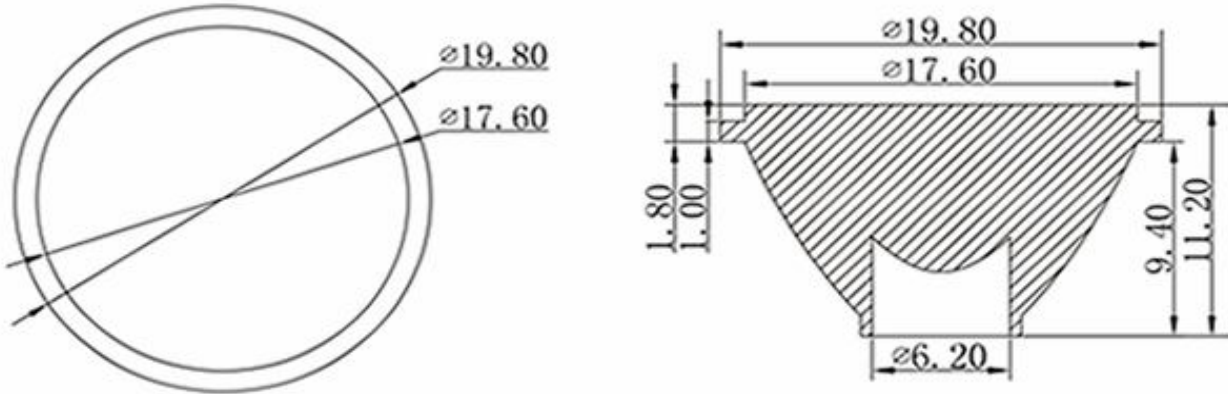


Model	Size	Angle
SB-LENS-15P2	Φ19.80×H11.20	15



Materials: PMMA  
 Temperature Resistance: 90°C

Lens:



Holder:

