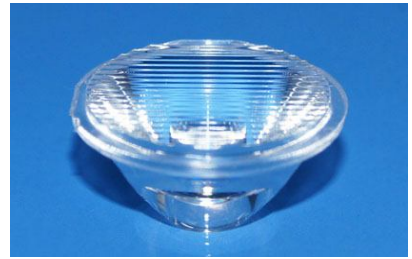
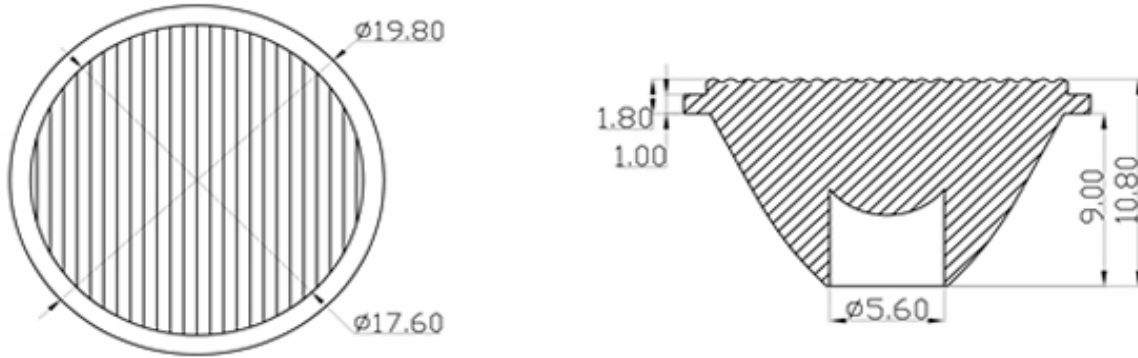


Model	Size	Angle
SB-LENS-20X40	Φ19.80×H10.80	20*40

Materials: PMMA  
 Temperature Resistance: 90°C



Lens:



Holder:

